

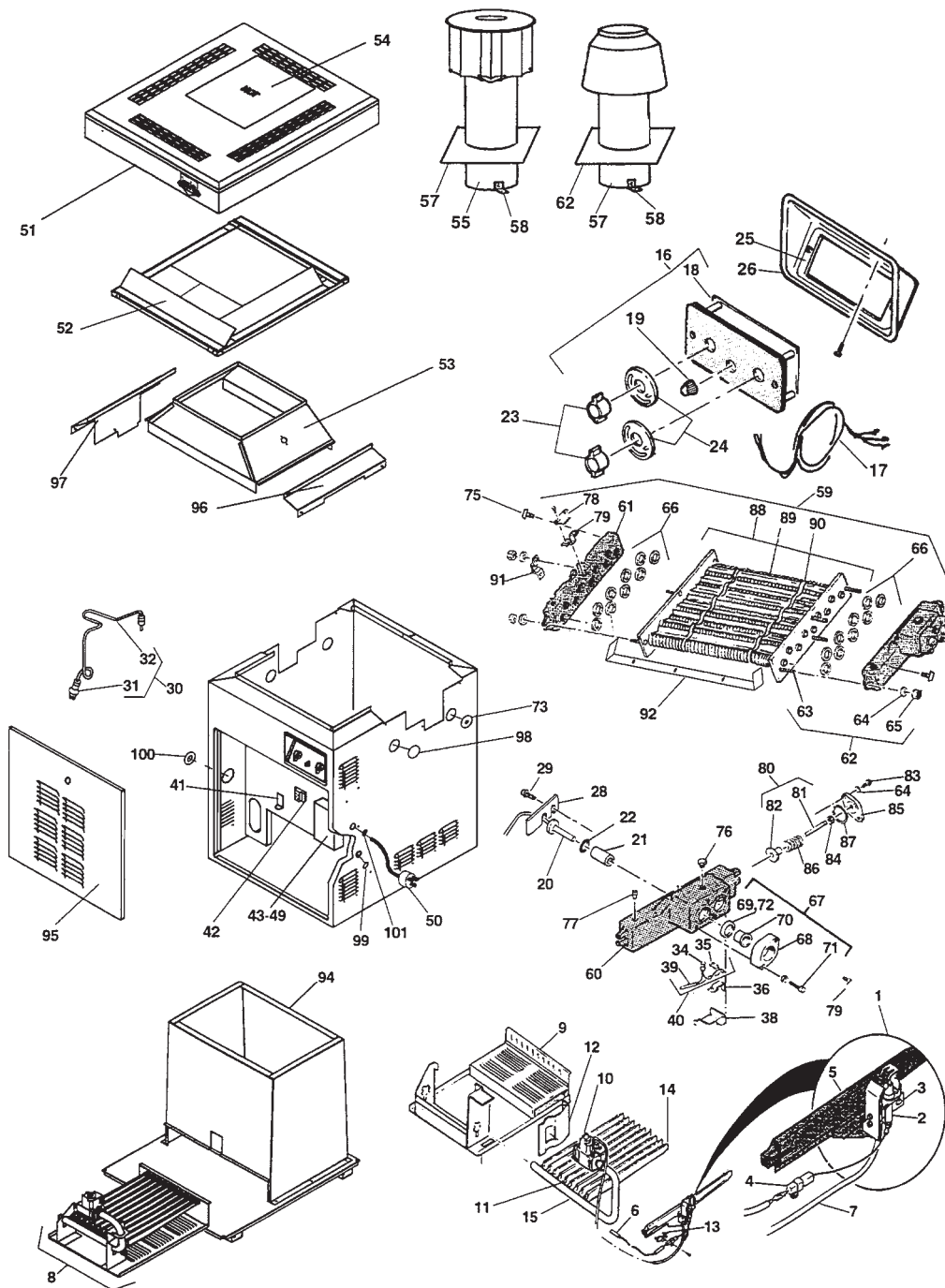


POOL PRODUCTS

Quality Pool & Spa Products

LAARS JANDY GAS HEATERS LLC SERIES

SPARE PARTS DIAGRAM



Key	Description	Product Code
PILOT LIGHT SYSTEM		
1	Pilot Main Burner Assembly (Natural)	67R0099100
1	Pilot Main Burner Assembly (LPG)	67R0096500
2	Pilot Burner (Natural)	67R0061600
2	Pilot Burner (LPG)	67R0095800
3	Pilot Bracket Shield	6710833900
4	Ceramic Insulator Assembly	67R0011600
5	Burner, Main W/Pilot Bracket	6710457500
6	High Voltage Lead Assembly	67R0099000
7	Pilot Tubing	67R0096200
MAIN GAS ASSEMBLY		
8	Burner Tray Assembly Natural 125	67R0098601
	Burner Tray Assembly Natural 175	67R0098602
	Burner Tray Assembly Natural 250	67R0098603
	Burner Tray Assembly Natural 325	67R0098604
	Burner Tray Assembly Natural 400	67R0098605
8	Burner Tray Assembly LPG125	67R0098701
	Burner Tray Assembly LPG 175	67R0098702
	Burner Tray Assembly LPG 250	67R0098703
	Burner Tray Assembly LPG 325	67R0098704
	Burner Tray Assembly LPG 400	67R0098705
9	Burner Tray Shelf Only 125	67R0317001
	Burner Tray Shelf Only 175	67R0317002
	Burner Tray Shelf Only 250	67R0317003
	Burner Tray Shelf Only 325	67R0317004
	Burner Tray Shelf Only 400	67R0317005
10	Gas Valve Natural	67R0107900
10	Gas Valve LPG	67R0108000
11	Gas Orifice Natural 0-900m	67L0032200
11	Gas Orifice LPG 0-1500m	67L0032900
12	Anti-Rotation Bracket	67R0096100
13	Mounting Bracket Assembly	6710419200
14	Burner, Main	67L0052300
15	Burner Manifold 125	67L0052200
15	Burner Manifold 175	67L0006300
15	Burner Manifold 250	67L0006400
15	Burner Manifold 325	67L0006500
15	Burner Manifold 400	67L0006600
ELECTRIC SYSTEM		
16	Temperature Control Assembly	67R0011700
18	Plate Assembly	6710594600
19	Knob, Single Bar	67R0099900
20	Temperature Sensor	67R0011800
21	Protective Sleeve, Bulb	6710444900
22	O ring, Temperature Control Bulb	67E0116400

Key	Description	Product Code
	ELECTRIC SYSTEM (continue)	
23	Thermostat Knob, Black	67R0010700
24	Stop Plate, "Temp-Lok"	67R0150200
25	Temperature Control Gasket	67S0070000
26	Bezel	67S0069800
n/s	Stop Plate Screw	67F0033300
28	Retainer Bracket	6710447300
29	Retainer Bracket Screw	67F0009100
30	Pressure Switch & Siphon Loop Assembly	67R0097600
31	Pressure Switch, 2 PSI	67R0013200
32	Siphon Loop Assembly	67R0057800
31	Pressure Switch, 1 PSI	67R0011300
31	Pressure Switch, 1-10 PSI	67R0015500
40	High-Limit Switch Assembly	67R0023200
34	High-Limit Switch 57 deg C	67R0022700
35	High-Limit Switch 65 deg C	67R0023000
36	High-Limit Switch Retainer Clip	6710728500
n/s	High-Limit Switch Retainer Boot	67S0098900
38	High-Limit Switch Cover	6710418301
39	High-Limit Switch Wire Harness	6710419300
n/s	Fusible Link Assembly	67R0012200
41	Fusible Link Bracket	6710479900
42	Terminal Block	67R0097800
43	Ignition Control Assembly	67R0107700
44	Ignition control	67R0097100
45	Harness Assembly	67R0108100
46	Transformer (115V-220V/24V)	67R0107800
47	Ignition Control Panel	6710451200
48	In-Line Fuse Assembly	67R10480000
49	Terminal Block	67R0107500
50	3 Pin Power Cord	67R0107600
	VENT SYSTEM	
51	Top Enclosure 125	67R031201
	Top Enclosure 175	67R031202
	Top Enclosure 250	67R031203
	Top Enclosure 325	67R031204
	Top Enclosure 400	67R031205
52	Rain Shield Kit 125	67R0318311
	Rain Shield Kit 175	67R0318312
	Rain Shield Kit 250	67R0318313
	Rain Shield Kit 325	67R0318314
	Rain Shield Kit 400	67R0318315
53	Flue Collector Assembly 125	67R0316405
	Flue Collector Assembly 175	67R0316405
	Flue Collector Assembly 250	67R0316403
	Flue Collector Assembly 325	67R0316403
	Flue Collector Assembly 400	67R0316405

Key	Description	Product Code
	VENT SYSTEM (continue)	
55	Outdoor Vent 125	670125
55	Outdoor Vent 175	670175
55	Outdoor Vent 250	670250
55	Outdoor Vent 325	670325
55	Outdoor Vent 400	670400
56	Indoor Draft Hood 125	671125
56	Indoor Draft Hood 175	671175
56	Indoor Draft Hood 250	671250
56	Indoor Draft Hood 325	671325
56	Indoor Draft Hood 400	671400
57	Adapter plate 125	6710535301
	Adapter plate 175	6710535302
	Adapter plate 250	6710535303
	Adapter plate 325	6710535304
	Adapter plate 400	6710535305
58	Clip	6710211000
	WATER SYSTEM	
59	Heat Exchanger Assembly, Bronze, Complete	6710704201
	Heat Exchange Tube Assembly 125	67R0018101
	Heat Exchange Tube Assembly 175	67R0018102
	Heat Exchange Tube Assembly 250	67R0018103
	Heat Exchange Tube Assembly 325	67R0018104
	Heat Exchange Tube Assembly 400	67R0018105
60	Inlet / Outlet Header, Iron, 2"	67R0056400
61	Return Header, Iron	67R0058300
61	Return Header, Bronze	67R0054600
62	Header Bolt Assembly (set of 8)	67R0057000
67	Flange & Gasket Assembly (Set of 2)	67R0055000
72	Flange Gasket, 1 1/2 - 2"	67S0078100
73	Grommet for Drain Plug	67R0316300
75	Brass Plug, 1/4"	67P0026800
76	Brass Plug, 3/4"	67P0027000
77	Connector, Brass	67P0019701
78	Flue Collector Hold Down Clamp	6710726200
79	Hold Down Bracket	6710726300
80	By-Pass Assembly	67R0013100
81	By-Pass Valve Rod	67S0079800
82	By-Pass Valve Disc	67R0011500
83	Bolt, Hex, 3/8" - 16x1"	67F0041600
84	Nut, (for Rod)	67F0048400
85	By-Pass Valve Control Cap (Iron)	67S0069100
85	By-Pass Valve Control Cap (Bronze)	6710557400
86	By-Pass Valve Spring, Purple 125	67S0079900
86	By-Pass Valve Spring, White 175	67S0061400
86	By-Pass Valve Spring, Red 250	67S0061300
86	By-Pass Valve Spring, Blue 325	67S0061200

Key	Description	Product Code
WATER SYSTEM (continued)		
86	By-Pass Valve Spring, Black 400	67S0070100
87	By-Pass Valve Gasket	67R0011400
88	Heat Exchanger Tube Assembly 125	67R0018101
	Heat Exchanger Tube Assembly 175	67R0018102
	Heat Exchanger Tube Assembly 250	67R0018103
	Heat Exchanger Tube Assembly 325	67R0018104
	Heat Exchanger Tube Assembly 400	67R0018105
89	Heat Exchanger Baffle (8 required)	6710697401
90	Baffle Retainer	67S0083900
91	Heat Exchanger Support Clip	6710457000
92	Heat Exchanger End Baffles	67R0332301
	Heat Exchanger End Baffles	67R0332302
	Heat Exchanger End Baffles	67R0332303
n/s	Flow Restrictors, (2 Required) 125	67S0000300
FIRE BOX COMPONENTS		
94	Combustion Chamber Assembly 125	67R0316701
94	Combustion Chamber Assembly 175	67R0316702
	Combustion Chamber Assembly 250	67R0316703
	Combustion Chamber Assembly 325	67R0316704
	Combustion Chamber Assembly 400	67R0316705
JACKET COMPONENTS		
95	Door with Latch 125	67R0313401
95	Door with Latch 175	67R0313402
95	Door with Latch 250	67R0313403
95	Door with Latch 325	67R0313404
95	Door with Latch 400	67R0313405
96	Gap Closure, Inlet/Outlet	67R0344300
97	Gap Closure, Return	67R0344000
98	Button plug, 1 3/4"	67F0035300
99	Button plug, 7/8"	67F0032300
100	Button Plug, 2" with Hole for Gas Line	67F0056600
101	Plastic Snap Bushing	67S0064900
OPTIONAL COMPONENTS		
n/s	Non combustible base 125	6710521701
n/s	Non combustible base 175	6710521702
n/s	Non combustible base 250	6710521703
n/s	Non combustible base 325	6710521704
n/s	Non combustible base 400	6710521705
n/s	Pressure relief valve 3/4 inch, 75P.S.I. (ALL)	67R0040400
n/s	Touch Up Spray Paint, Pewter	67X0022600
n/s	Manual Reset High Temperature Switch	67R0333900
n/s	Temperature Rise Measurement Kit	67R0336000
n/s	Conversion Kit - Natural to LPG Gas	67R0107300
n/s	Conversion Kit - LPG to Natural Gas	67R0107400